



**ON METAL  
HF/NFC LABEL**  
**50 x 50 mm**  
**OML5050-ICODE-SLIX**  
**13,56 MHz**  
**ISO15693**



<b>Product:</b>	ON METAL HF/ NFC LABEL 50x50 mm for smart identification of metal parts, 13,56 MHz High Frequency LABEL with NXP ICODE SLIX chip.	
<b>RFID Chip:</b>	NXP ICODE SLIX with 1024 bits memory , 896 bits user memory, 8-byte UID. More details on request.	
<b>Max. Read Range:</b>	up to 100 mm	(Depends on reader power)
<b>Frequency:</b>	13,56 MHz	(At room temperature 20°C)
<b>ISO Standard:</b>	ISO15693	NFC Forum compliant
<b>Dimensions / Weight:</b>	50 x 50 x 0,4 ± 0,04 mm	0,2 g
<b>Material / Colour:</b>	Fragile Coated Paper	White, other colour and logo QR Code number print on request
<b>Minimum Order Quantity:</b>	1000 pieces on roll	
<b>Operating/ Storage-Temperature:</b>	-25°C ... + 70°C	-25°C ... + 70°C
<b>Certification / Other:</b>	<b>CE</b>	<b>RoHS ✓</b>
<b>Part Description:</b>	50x50mm-NFC-ON-METAL-LABEL-HF-ICODE-SLIX Part-No. 123456810	Other RF Chip versions are available on request

arfidex GmbH Adlerstraße 2 D-63322 Rödermark Germany Phone: +49 (0) 6074 861930

[www.arfidex.de](http://www.arfidex.de) | [info@arfidex.de](mailto:info@arfidex.de)

© arfidex makes no warranty, representation, or guarantee regarding the information contained herein or the suitability of its products and services for any particular purpose, nor does arfidex assume any liability whatsoever arising out of the application or use of any product or circuit. The products sold hereunder and any other products sold by arfidex have been subject to limited testing and should not be used in conjunction with mission-critical equipment or applications. Any performance specifications are believed to be reliable but are not verified, and Buyer must conduct and complete all performance and other testing of the products, alone and together with, or installed in, any end-products. Buyer shall not rely on any data and performance specifications or parameters provided by arfidex. It is the Buyer's responsibility to independently determine suitability of any products and to test and verify the same. The information provided by arfidex hereunder is provided "as is, where is" and with all faults, and the entire risk associated with such information is entirely with the Buyer. arfidex does not grant, explicitly or implicitly, to any party any patent rights, licenses, or any other IP rights, whether with regard to such information itself or anything described by such information. Information provided in this document is proprietary to arfidex, and arfidex reserves the right to make any changes to the information in this document or to any products and services at any time without notice.



**ON METAL  
HF/NFC LABEL  
50 x 50 mm  
OML5050-ICODE-SLIX  
13,56 MHz  
ISO15693**



Front side

1

3



2

4

---

arfidex GmbH Adlerstraße 2 D-63322 Rödermark Germany Phone: +49 (0) 6074 861930

[www.arfidex.de](http://www.arfidex.de) | [info@arfidex.de](mailto:info@arfidex.de)

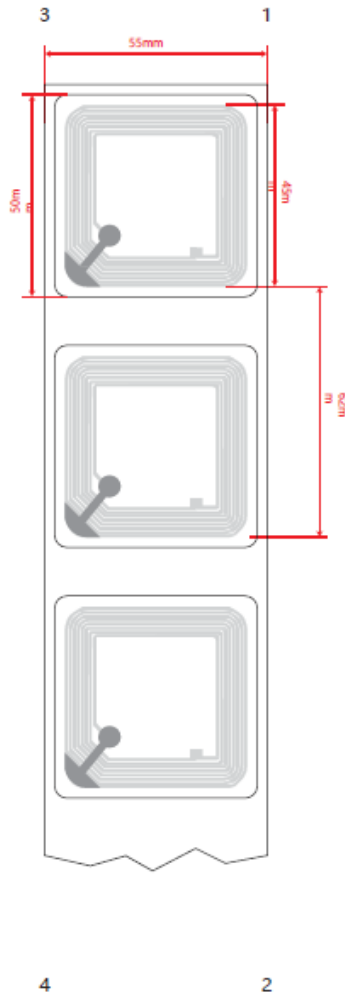
© arfidex makes no warranty, representation, or guarantee regarding the information contained herein or the suitability of its products and services for any particular purpose, nor does arfidex assume any liability whatsoever arising out of the application or use of any product or circuit. The products sold hereunder and any other products sold by arfidex have been subject to limited testing and should not be used in conjunction with mission-critical equipment or applications. Any performance specifications are believed to be reliable but are not verified, and Buyer must conduct and complete all performance and other testing of the products, alone and together with, or installed in, any end-products. Buyer shall not rely on any data and performance specifications or parameters provided by arfidex. It is the Buyer's responsibility to independently determine suitability of any products and to test and verify the same. The information provided by arfidex hereunder is provided "as is, where is" and with all faults, and the entire risk associated with such information is entirely with the Buyer. arfidex does not grant, explicitly or implicitly, to any party any patent rights, licenses, or any other IP rights, whether with regard to such information itself or anything described by such information. Information provided in this document is proprietary to arfidex, and arfidex reserves the right to make any changes to the information in this document or to any products and services at any time without notice.



**ON METAL  
HF/NFC LABEL  
50 x 50 mm  
OML5050-ICODE-SLIX  
13,56 MHz  
ISO15693**



Back side



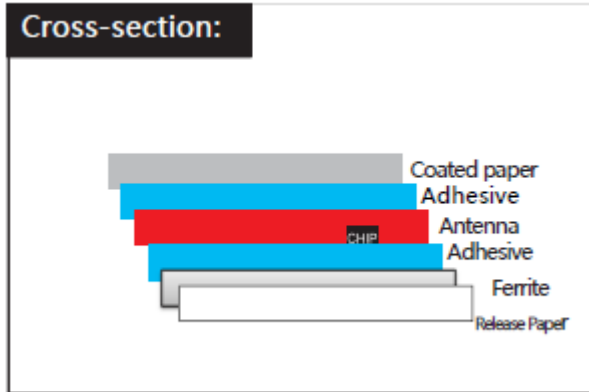
arfidex GmbH Adlerstraße 2 D-63322 Rödermark Germany Phone: +49 (0) 6074 861930

[www.arfidex.de](http://www.arfidex.de) | [info@arfidex.de](mailto:info@arfidex.de)

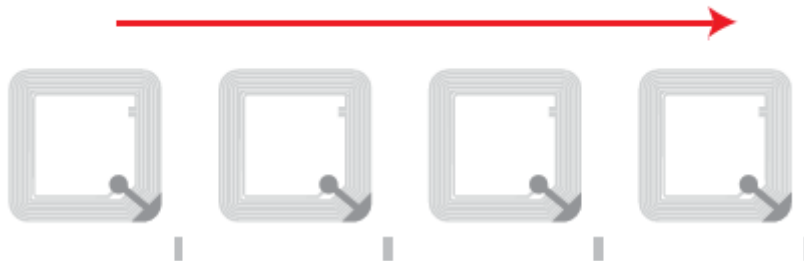
© arfidex makes no warranty, representation, or guarantee regarding the information contained herein or the suitability of its products and services for any particular purpose, nor does arfidex assume any liability whatsoever arising out of the application or use of any product or circuit. The products sold hereunder and any other products sold by arfidex have been subject to limited testing and should not be used in conjunction with mission-critical equipment or applications. Any performance specifications are believed to be reliable but are not verified, and Buyer must conduct and complete all performance and other testing of the products, alone and together with, or installed in, any end-products. Buyer shall not rely on any data and performance specifications or parameters provided by arfidex. It is the Buyer's responsibility to independently determine suitability of any products and to test and verify the same. The information provided by arfidex hereunder is provided "as is, where is" and with all faults, and the entire risk associated with such information is entirely with the Buyer. arfidex does not grant, explicitly or implicitly, to any party any patent rights, licenses, or any other IP rights, whether with regard to such information itself or anything described by such information. Information provided in this document is proprietary to arfidex, and arfidex reserves the right to make any changes to the information in this document or to any products and services at any time without notice.



**ON METAL  
HF/NFC LABEL  
50 x 50 mm  
OML5050-ICODE-SLIX  
13,56 MHz  
ISO15693**



**Antenna  
NO: 1006**



arfidex GmbH Adlerstraße 2 D-63322 Rödermark Germany Phone: +49 (0) 6074 861930

[www.arfidex.de](http://www.arfidex.de) | [info@arfidex.de](mailto:info@arfidex.de)

© arfidex makes no warranty, representation, or guarantee regarding the information contained herein or the suitability of its products and services for any particular purpose, nor does arfidex assume any liability whatsoever arising out of the application or use of any product or circuit. The products sold hereunder and any other products sold by arfidex have been subject to limited testing and should not be used in conjunction with mission-critical equipment or applications. Any performance specifications are believed to be reliable but are not verified, and Buyer must conduct and complete all performance and other testing of the products, alone and together with, or installed in, any end-products. Buyer shall not rely on any data and performance specifications or parameters provided by arfidex. It is the Buyer's responsibility to independently determine suitability of any products and to test and verify the same. The information provided by arfidex hereunder is provided "as is, where is" and with all faults, and the entire risk associated with such information is entirely with the Buyer. arfidex does not grant, explicitly or implicitly, to any party any patent rights, licenses, or any other IP rights, whether with regard to such information itself or anything described by such information. Information provided in this document is proprietary to arfidex, and arfidex reserves the right to make any changes to the information in this document or to any products and services at any time without notice.

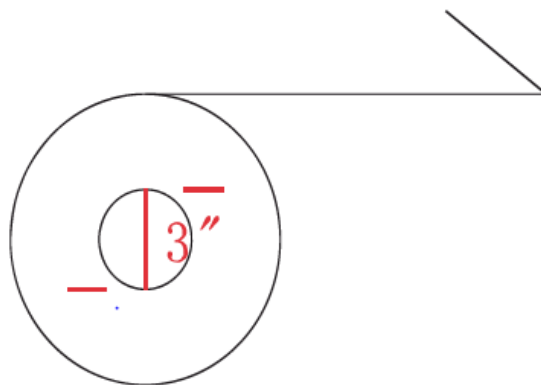


**ON METAL  
HF/NFC LABEL  
50 x 50 mm  
OML5050-ICODE-SLIX  
13,56 MHz  
ISO15693**



specs	
1.Printed:	no
2.Overlay:	no
3.Antenna:	45X45MM
4.Chip:	ICODESLI-X
5.Material:	Coated paper
6.Thickness:	0.4±0.04mm
7.Q-ty:	10,000PCS

**Packing:in roll**



arfidex GmbH Adlerstraße 2 D-63322 Rödermark Germany Phone: +49 (0) 6074 861930

[www.arfidex.de](http://www.arfidex.de) | [info@arfidex.de](mailto:info@arfidex.de)

© arfidex makes no warranty, representation, or guarantee regarding the information contained herein or the suitability of its products and services for any particular purpose, nor does arfidex assume any liability whatsoever arising out of the application or use of any product or circuit. The products sold hereunder and any other products sold by arfidex have been subject to limited testing and should not be used in conjunction with mission-critical equipment or applications. Any performance specifications are believed to be reliable but are not verified, and Buyer must conduct and complete all performance and other testing of the products, alone and together with, or installed in, any end-products. Buyer shall not rely on any data and performance specifications or parameters provided by arfidex. It is the Buyer's responsibility to independently determine suitability of any products and to test and verify the same. The information provided by arfidex hereunder is provided "as is, where is" and with all faults, and the entire risk associated with such information is entirely with the Buyer. arfidex does not grant, explicitly or implicitly, to any party any patent rights, licenses, or any other IP rights, whether with regard to such information itself or anything described by such information. Information provided in this document is proprietary to arfidex, and arfidex reserves the right to make any changes to the information in this document or to any products and services at any time without notice.