

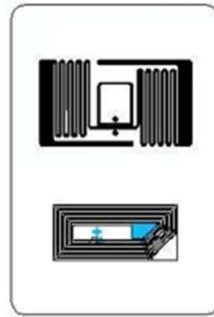
COMBI
DUAL FREQUENCY
NFC UHF
WET INLAY LABEL
45x30 mm
NTAG213 UCODE 8
NFC 13,56 MHz ISO14443A
UHF 868 MHz ISO18000-6

Product:	Flexible Dual Frequency NFC UHF LABEL 45 x 30 mm for Industrial Applications readable with UHF RFID Reader and NFC enabled smart phone, 13,56 / 865...868 MHz High/Ultra High Frequency with NTAG213 and UCODE 8 ISO14443 / ISO18000-6 chip	
Options:	Cover foil, Customized 4 colour print (Logo, UID, Serial-No., QR-Code), encoding.	
Max. Read Range:	NFC ISO14443A up to 10 mm UHF RFID ISO18000-6 up to 3 m	(Depends on reader power)
Frequency:	13,56 / 865...868 MHz	(At room temperature 20°C)
ISO Standard:	ISO14443A ISO18000-6	NFC Forum Type 2 and Class 1 Gen 2 compliant
Dimensions / Weight:	45 x 30 mm	0,5g
Material / Colour:	PET, AL, adhesive	White cover, other colour and logo QR Code number print on request
Minimum Order Quantity:	1000 pieces on roll	
Temperature:	Operating: -25°C ... + 55°C	Storage: -25°C ... + 55°C
Certification / Other:		RoHS ✓
Part Description:	45x30mm-NFC-UHF-DUAL-FREQUENCY-WET-INLAY-NTAG213-UCODE 8	Part-no. 123457374

arfidex GmbH Adlerstraße 2 D-63322 Rödermark Germany Phone: +49 (0) 6074 861930

www.arfidex.de | info@arfidex.de

© arfidex makes no warranty, representation, or guarantee regarding the information contained herein or the suitability of its products and services for any particular purpose, nor does arfidex assume any liability whatsoever arising out of the application or use of any product or circuit. The products sold hereunder and any other products sold by arfidex have been subject to limited testing and should not be used in conjunction with mission-critical equipment or applications. Any performance specifications are believed to be reliable but are not verified, and Buyer must conduct and complete all performance and other testing of the products, alone and together with, or installed in, any end-products. Buyer shall not rely on any data and performance specifications or parameters provided by arfidex. It is the Buyer's responsibility to independently determine suitability of any products and to test and verify the same. The information provided by arfidex hereunder is provided "as is, where is" and with all faults, and the entire risk associated with such information is entirely with the Buyer. arfidex does not grant, explicitly or implicitly, to any party any patent rights, licenses, or any other IP rights, whether with regard to such information itself or anything described by such information. Information provided in this document is proprietary to arfidex, and arfidex reserves the right to make any changes to the information in this document or to any products and services at any time without notice.



**COMBI
DUAL FREQUENCY
NFC UHF**

WET INLAY LABEL

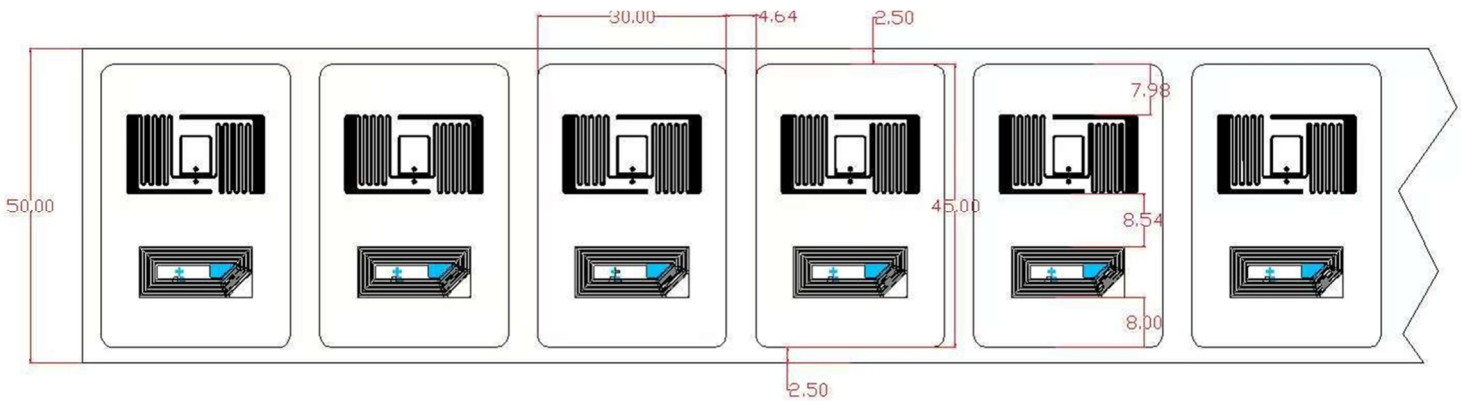
45x30 mm

NTAG213 UCODE 8

NFC 13,56 MHz ISO14443A

UHF 868 MHz ISO18000-6

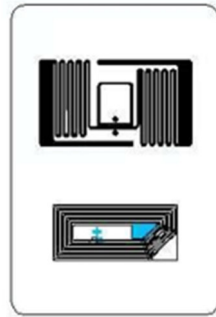
Dimensions of 45x30 mm WET INLAY label on roll



arfidex GmbH Adlerstraße 2 D-63322 Rödermark Germany Phone: +49 (0) 6074 861930

www.arfidex.de | info@arfidex.de

© arfidex makes no warranty, representation, or guarantee regarding the information contained herein or the suitability of its products and services for any particular purpose, nor does arfidex assume any liability whatsoever arising out of the application or use of any product or circuit. The products sold hereunder and any other products sold by arfidex have been subject to limited testing and should not be used in conjunction with mission-critical equipment or applications. Any performance specifications are believed to be reliable but are not verified, and Buyer must conduct and complete all performance and other testing of the products, alone and together with, or installed in, any end-products. Buyer shall not rely on any data and performance specifications or parameters provided by arfidex. It is the Buyer's responsibility to independently determine suitability of any products and to test and verify the same. The information provided by arfidex hereunder is provided "as is, where is" and with all faults, and the entire risk associated with such information is entirely with the Buyer. arfidex does not grant, explicitly or implicitly, to any party any patent rights, licenses, or any other IP rights, whether with regard to such information itself or anything described by such information. Information provided in this document is proprietary to arfidex, and arfidex reserves the right to make any changes to the information in this document or to any products and services at any time without notice.



COMBI
DUAL FREQUENCY
NFC UHF
WET INLAY LABEL
45x30 mm
NTAG213 UCODE 8
NFC 13,56 MHz ISO14443A
UHF 868 MHz ISO18000-6

FEATURES

Customers use this Combi Dual Frequency WET INLAY to identify all kind of goods for logistics improvement.

The benefit of the two transponders (1 NFC and 1 UHF) is that customers could read the goods in bulk by using UHF readers and longer range and that for single piece they could use a standard NFC enabled smartphone.

Because the different NFC and UHF chips inside are not connected the customer should put both UIDs in the database to have the same result by identifying the goods description.

APPLICATIONS

- | Product Identification
- | Customer engagement, coupons, loyalty programs
- | Inventory and supply chain management
- | Asset control
- | Single tap quick re-ordering

arfidex GmbH Adlerstraße 2 D-63322 Rödermark Germany Phone: +49 (0) 6074 861930

www.arfidex.de | info@arfidex.de

© arfidex makes no warranty, representation, or guarantee regarding the information contained herein or the suitability of its products and services for any particular purpose, nor does arfidex assume any liability whatsoever arising out of the application or use of any product or circuit. The products sold hereunder and any other products sold by arfidex have been subject to limited testing and should not be used in conjunction with mission-critical equipment or applications. Any performance specifications are believed to be reliable but are not verified, and Buyer must conduct and complete all performance and other testing of the products, alone and together with, or installed in, any end-products. Buyer shall not rely on any data and performance specifications or parameters provided by arfidex. It is the Buyer's responsibility to independently determine suitability of any products and to test and verify the same. The information provided by arfidex hereunder is provided "as is, where is" and with all faults, and the entire risk associated with such information is entirely with the Buyer. arfidex does not grant, explicitly or implicitly, to any party any patent rights, licenses, or any other IP rights, whether with regard to such information itself or anything described by such information. Information provided in this document is proprietary to arfidex, and arfidex reserves the right to make any changes to the information in this document or to any products and services at any time without notice.