



FENESTRAM EX2626
ON METAL High Temperature
ATEX Zone 1 / 21 certified
UHF RFID TAG
26 x 26 x 5,5 mm
2 holes Ø 4 mm
865...868 MHz (EU)
ISO/IEC18000-6C

Product:	ATEX Zone 1 / 21 certified Rugged UHF High Temperature RFID ON METAL TAG for Easy Mounting on METAL by screw or rivet	
UHF RFID Chip Options:	EPC CLASS 1 GEN 2 ALIEN Higgs-3 EPC 96 bits up to 480 bits, User Memory 512 bits, 64 bits TID	
Read Range ON METAL:	Stationary Reader: up to 2,5 m Handheld Reader: up to 1,5 m	(Depends on RFID IC type and reader power) Off metal range is lower!
Frequencies:	EU: 865...868 MHz	(At room temperature 20°C)
Dimensions / Weight:	26 x 26 x 5,5 mm, 2 holes Ø 4 mm	6,5 g
ATEX Marking: European Directive:	C E 1282 II 2G Ex ia IIA T2 Gb C E 1282 III 2D Ex ia IIIB T2 Db	EU-Directive: 2014/34/EU Annex III Module B
Material / Colour:	PPS (Polyphenylene Sulfide) High Temperature Engineering Thermo Plastic	Black
Withstands Exposure to:	Fuel B, mineral oil, petroleum, salt mist, vegetable oil	
Protection Class:	IP68	
Minimum Order Quantity:	1000 pieces	Minimum Production Lot: 1000 pcs
Operating- / Storage-Temperature:	-40°C ...+ 100°C	-40°C ...+ 150°C (+180°C for 120 minutes) (+230°C for 30 minutes)
Certification / Other:		RoHS ✓
Part Description:	FENESTRAM-EX2626-OMT-UHF--EU	US Version on request as -US

arfidex GmbH | Adlerstraße 2 | D-63322 Rödermark | Germany | Phone: +49 (0) 6074 861930

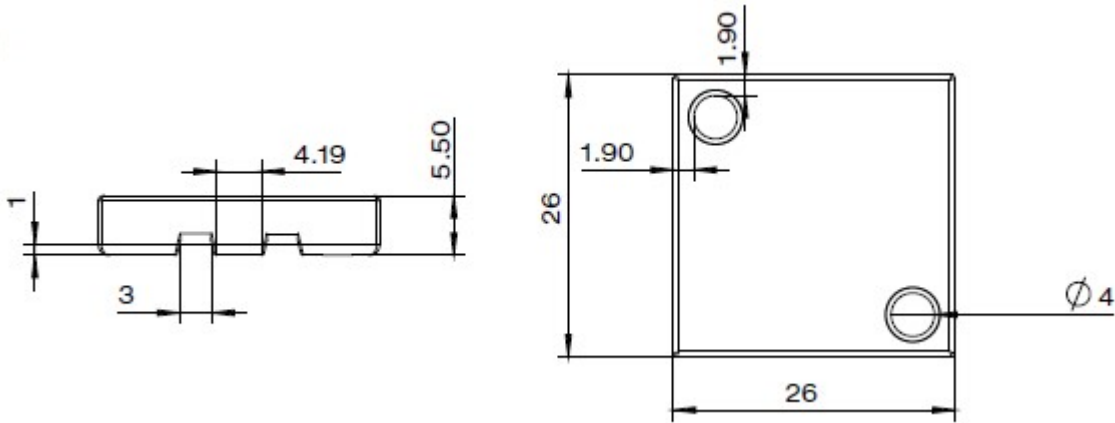
www.arfidex.de | info@arfidex.de

© arfidex makes no warranty, representation, or guarantee regarding the information contained herein or the suitability of its products and services for any particular purpose, nor does arfidex assume any liability whatsoever arising out of the application or use of any product or circuit. The products sold hereunder and any other products sold by arfidex have been subject to limited testing and should not be used in conjunction with mission-critical equipment or applications. Any performance specifications are believed to be reliable but are not verified, and Buyer must conduct and complete all performance and other testing of the products, alone and together with, or installed in, any end-products. Buyer shall not rely on any data and performance specifications or parameters provided by arfidex. It is the Buyer's responsibility to independently determine suitability of any products and to test and verify the same. The information provided by arfidex hereunder is provided "as is, where is" and with all faults, and the entire risk associated with such information is entirely with the Buyer. arfidex does not grant, explicitly or implicitly, to any party any patent rights, licenses, or any other IP rights, whether with regard to such information itself or anything described by such information. Information provided in this document is proprietary to arfidex, and arfidex reserves the right to make any changes to the information in this document or to any products and services at any time without notice.



FENESTRAM EX2626
ON METAL High Temperature
ATEX Zone 1 / 21 certified
UHF RFID TAG
26 x 26 x 5,5 mm
2 holes Ø 4 mm
865...868 MHz (EU)
ISO/IEC18000-6C

Dimensions [mm]:



arfidex GmbH | Adlerstraße 2 | D-63322 Rödermark | Germany | Phone: +49 (0) 6074 861930

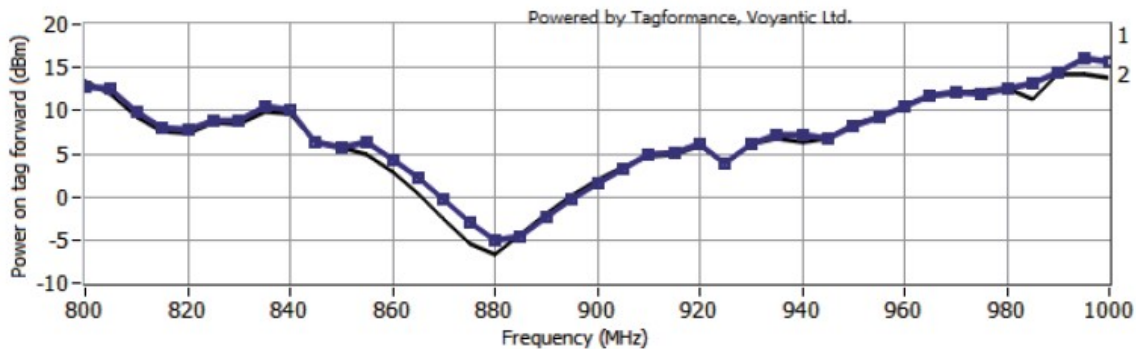
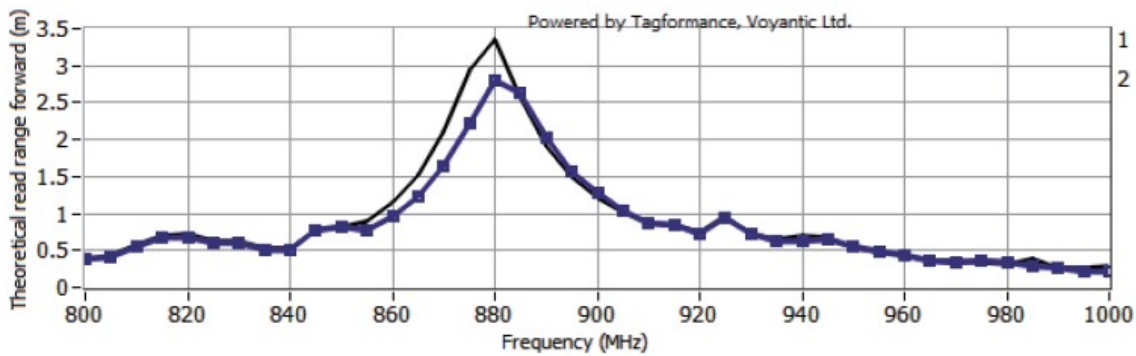
www.arfidex.de | info@arfidex.de

© arfidex makes no warranty, representation, or guarantee regarding the information contained herein or the suitability of its products and services for any particular purpose, nor does arfidex assume any liability whatsoever arising out of the application or use of any product or circuit. The products sold hereunder and any other products sold by arfidex have been subject to limited testing and should not be used in conjunction with mission-critical equipment or applications. Any performance specifications are believed to be reliable but are not verified, and Buyer must conduct and complete all performance and other testing of the products, alone and together with, or installed in, any end-products. Buyer shall not rely on any data and performance specifications or parameters provided by arfidex. It is the Buyer's responsibility to independently determine suitability of any products and to test and verify the same. The information provided by arfidex hereunder is provided "as is, where is" and with all faults, and the entire risk associated with such information is entirely with the Buyer. arfidex does not grant, explicitly or implicitly, to any party any patent rights, licenses, or any other IP rights, whether with regard to such information itself or anything described by such information. Information provided in this document is proprietary to arfidex, and arfidex reserves the right to make any changes to the information in this document or to any products and services at any time without notice.



FENESTRAM EX2626
ON METAL High Temperature
ATEX Zone 1 / 21 certified
UHF RFID TAG
26 x 26 x 5,5 mm
2 holes Ø 4 mm
865...868 MHz (EU)
ISO/IEC18000-6C

Theoretical read range forward [m] / Power on TAG forward [dBm] vs Frequency [MHz]:



arfidex GmbH | Adlerstraße 2 | D-63322 Rödermark | Germany | Phone: +49 (0) 6074 861930

www.arfidex.de | info@arfidex.de

© arfidex makes no warranty, representation, or guarantee regarding the information contained herein or the suitability of its products and services for any particular purpose, nor does arfidex assume any liability whatsoever arising out of the application or use of any product or circuit. The products sold hereunder and any other products sold by arfidex have been subject to limited testing and should not be used in conjunction with mission-critical equipment or applications. Any performance specifications are believed to be reliable but are not verified, and Buyer must conduct and complete all performance and other testing of the products, alone and together with, or installed in, any end-products. Buyer shall not rely on any data and performance specifications or parameters provided by arfidex. It is the Buyer's responsibility to independently determine suitability of any products and to test and verify the same. The information provided by arfidex hereunder is provided "as is, where is" and with all faults, and the entire risk associated with such information is entirely with the Buyer. arfidex does not grant, explicitly or implicitly, to any party any patent rights, licenses, or any other IP rights, whether with regard to such information itself or anything described by such information. Information provided in this document is proprietary to arfidex, and arfidex reserves the right to make any changes to the information in this document or to any products and services at any time without notice.



FENESTRAM EX2626
ON METAL High Temperature
ATEX Zone 1 / 21 certified
UHF RFID TAG
26 x 26 x 5,5 mm
2 holes Ø 4 mm
865...868 MHz (EU)
ISO/IEC18000-6C

Options:

- Other colour version available.
- Different Frequency Versions (UHF) country/region versions on request
- Customised laser printing
- Customised logo printing
- Serial Number printing
- UID Number printing
- Adhesive back sticker foil

This ATEX Zone 1 / 21 certified FENESTRAM passive (battery-less) UHF RFID transponder is used by system integrators or endusers to identify all kind of especially **ON METAL** equipment in industrial harsh environment. The read range ON METAL is better than OFF Metal.

Hazardous Area Applications:

- Asset Management
- Container with hazardous content
- Flour and Grain Silo
- Industrial ID in hazardous are
- Inventory & Logistics
- Oil & Gas
- Laundry Roll Cage
- Inspection, Maintenance and Service

arfidex GmbH | Adlerstraße 2 | D-63322 Rödermark | Germany | Phone: +49 (0) 6074 861930

www.arfidex.de | info@arfidex.de

© arfidex makes no warranty, representation, or guarantee regarding the information contained herein or the suitability of its products and services for any particular purpose, nor does arfidex assume any liability whatsoever arising out of the application or use of any product or circuit. The products sold hereunder and any other products sold by arfidex have been subject to limited testing and should not be used in conjunction with mission-critical equipment or applications. Any performance specifications are believed to be reliable but are not verified, and Buyer must conduct and complete all performance and other testing of the products, alone and together with, or installed in, any end-products. Buyer shall not rely on any data and performance specifications or parameters provided by arfidex. It is the Buyer's responsibility to independently determine suitability of any products and to test and verify the same. The information provided by arfidex hereunder is provided "as is, where is" and with all faults, and the entire risk associated with such information is entirely with the Buyer. arfidex does not grant, explicitly or implicitly, to any party any patent rights, licenses, or any other IP rights, whether with regard to such information itself or anything described by such information. Information provided in this document is proprietary to arfidex, and arfidex reserves the right to make any changes to the information in this document or to any products and services at any time without notice.